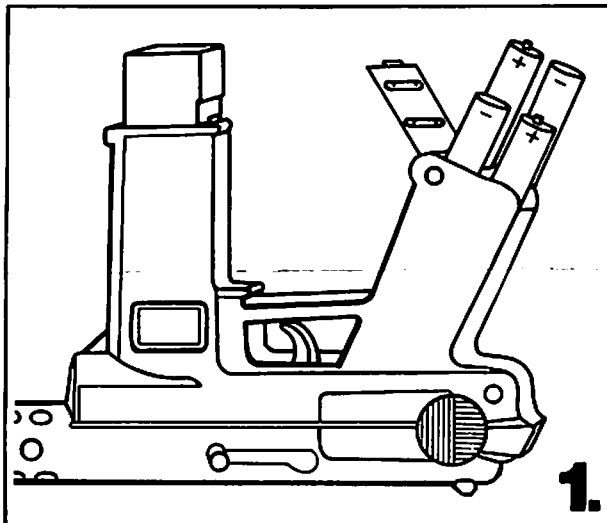
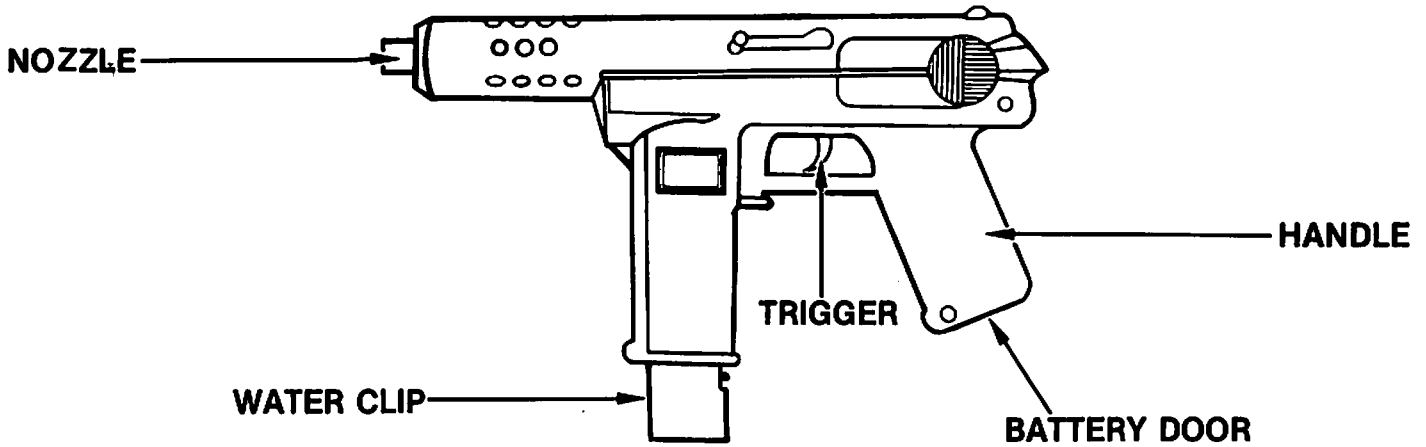
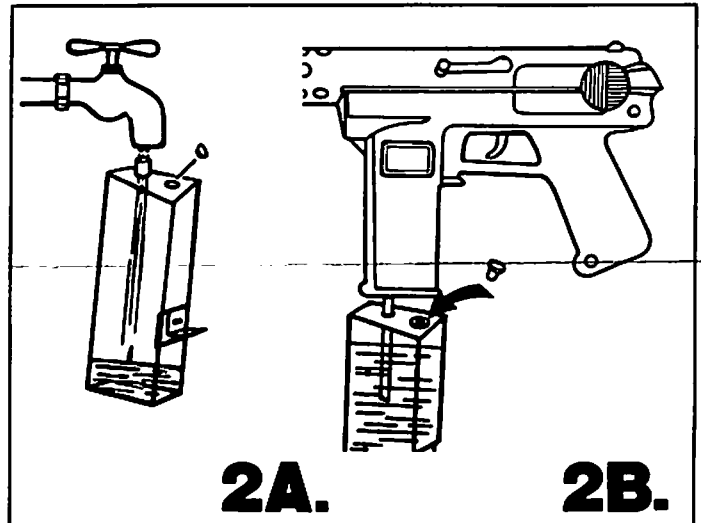


READ INSTRUCTION BEFORE OPERATING GUN

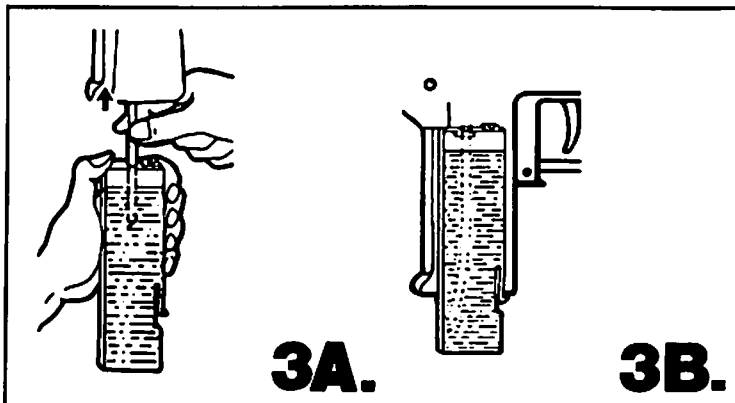


Open the battery door and load as indicated by the diagram. Snap the door closed after batteries have been inserted. Use four "AA" Size batteries.



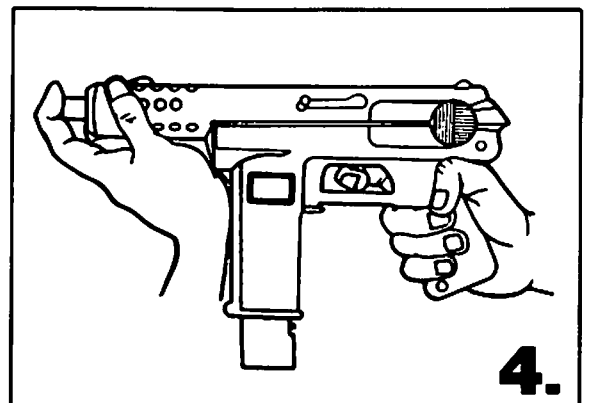
Take off water cap, then hold water clip under faucet and fill completely with water.

Put water cap back into air hole as shown by diagram (2B).



If flexible tubing "Bunches" up, the cartridge will not snap into place. To prevent this. Do the following:

- A). Gently insert the water cartridge into the flexible tubing by holding on to the tubing as shown in the diagram.
- B). Fully inserted, please note the direction of the cartridge.



Press fingertip against tip of nozzle, then pull trigger until water begins to shoot from gun into finger. See diagram (4). Make sure to use this method to prime pump every time before shooting.

E9112